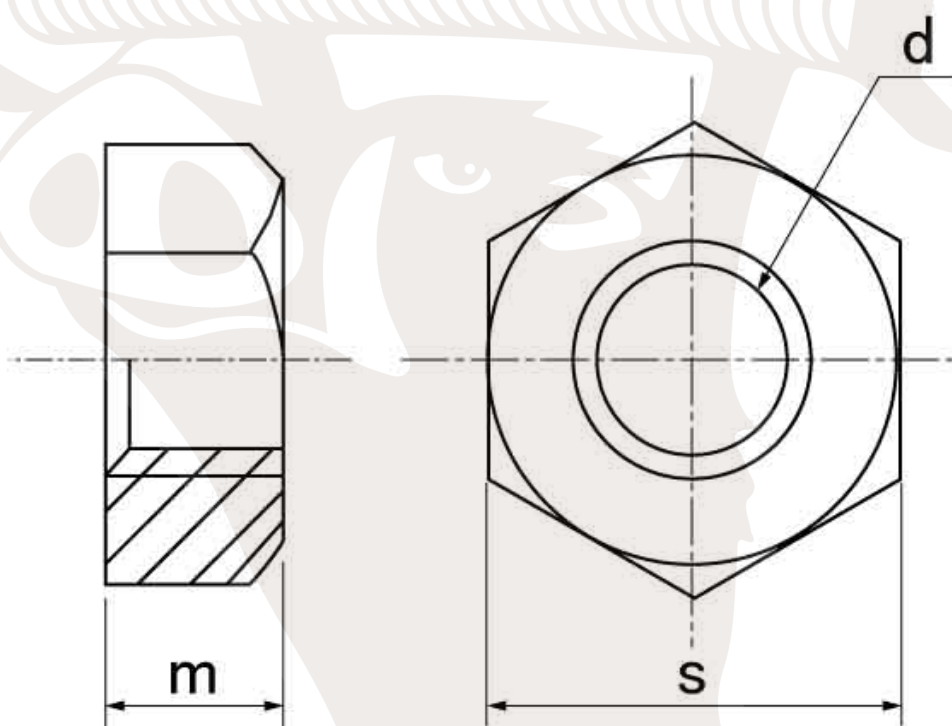


図面／規格
 【Hexagon nut (Type 1 (left screw))】



| ねじの呼び d | ピッチ p | m 基準 寸法 | s 基準 寸法 |
|------------|----------|---------------|---------------|
| M3 | 0.5 | 2.4 | 5.5 |
| M4 | 0.7 | 3.2 | 7 |
| M5 | 0.8 | 4 | 8 |
| M6 | 1.0 | 5 | 10 |
| M8 | 1.25 | 6.5 | 13 |
| M10 | 1.5 | 8 | 17 |
| M12 | 1.75 | 10 | 19 |
| M14 | 2.0 | 11 | 22 |
| M16 | 2.0 | 13 | 24 |
| M18 | 2.5 | 15 | 27 |
| M20 | 2.5 | 16 | 30 |
| M22 | 2.5 | 18 | 32 |
| M24 | 3.0 | 19 | 36 |
| M27 | 3.0 | 22 | 41 |
| M30 | 3.5 | 24 | 46 |
| M36 | 4.0 | 29 | 55 |
| M42 | 4.5 | 34 | 65 |
| M60 | 5.5 | 48 | 90 |