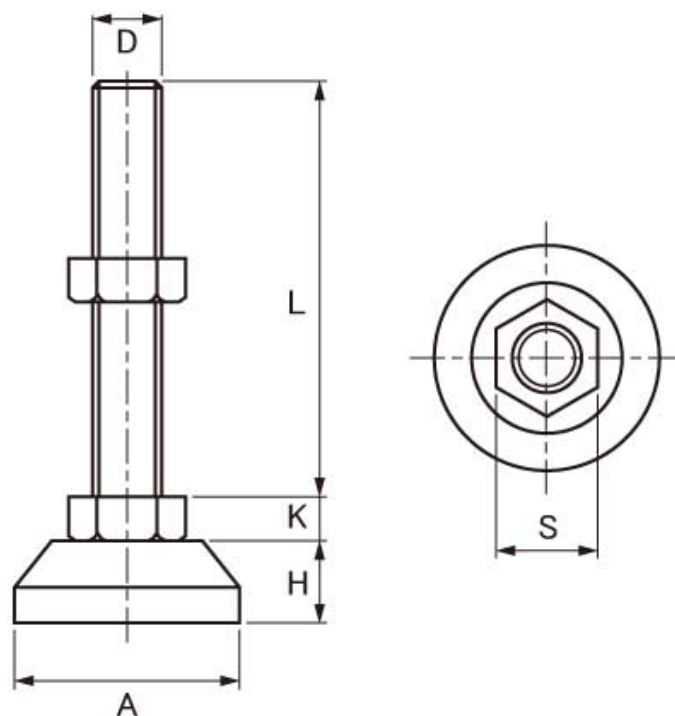


図面／規格
 【Adjust bolt (for heavy objects)】



6	D	A	H	S	K
S—W	M12×1.75	60	18	19	8
S—W	M16×2.0	60	18	24	10
S—W	M20×2.5	60	18	30	13