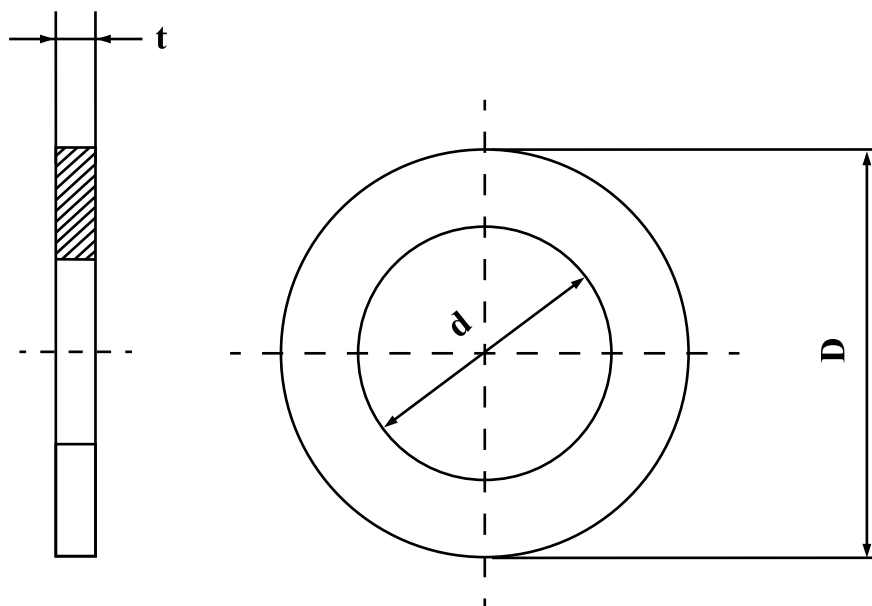


Drawing / Standard
【Washer (ISO Small Size)】



Nominal size	d		D		t		
	Dimension	Tolerance	Dimension	Tolerance	Dimension	Tolerance	
1	1.1	+0.15 0	2.5	0 -0.25	0.3	± 0.04	
1.2	1.3		2.8		0.3		
1.4	1.5		3		0.3		
1.6	1.7		3.8	0 -0.3	0.3		± 0.05
1.7	1.8		3.8		0.3		
2	2.2		4.3		0.3		
2.2	2.4		4.6		0.5		
2.3	2.5		4.6	0.5	± 0.1		
2.5	2.7		5	0.5			
2.6	2.8		5	0.5			
3	3.2	6	0.5				
3.5	3.7	7	0 -0.35	0.5			
4	4.3	8		0.8			
4.5	4.8	9	0.8	± 0.1			
5	5.3	10	1				

Nominal size	d		D		t	
	Dimension	Tolerance	Dimension	Tolerance	Dimension	Tolerance
6	6.4	+0.25 0	11.5	0 -0.4	1.6	± 0.15
8	8.4		15.5		1.6	
10	10.5		18		2	
12	13	+0.3 0	21	0 -0.5	2.5	± 0.25
14	15		24		2.5	
16	17		28		3	
18	19		30		3	
20	21	+0.35 0	34	0 -0.6	3	± 0.3
22	23		37		3	
24	25		39		4	
27	28		44		4	
30	31		50		4	
33	34	+0.4 0	56	0 -0.8	5	± 0.5
36	37		60		5	
39	40		66		6	