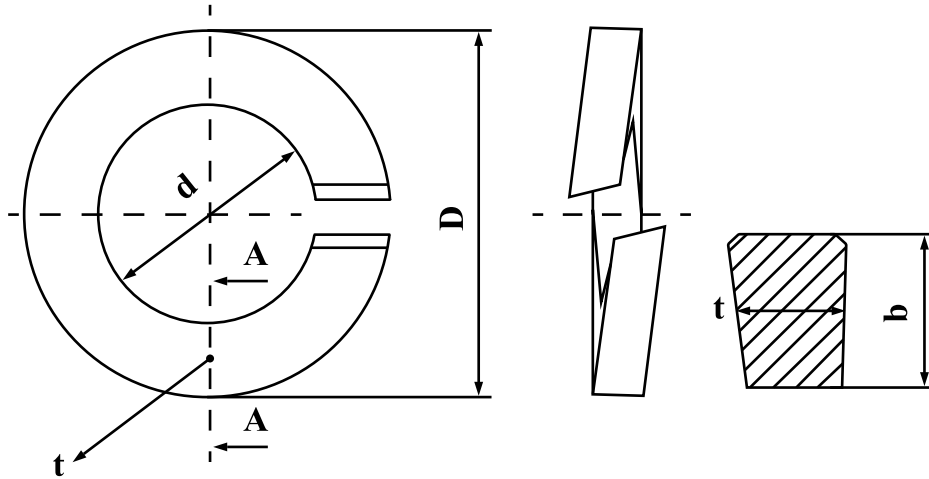


Drawing / Standard
 【Spring washer (Type-2)】



A-A

Nominal size		(d)		(D)	Width (b) x Thickness (t)	
mm.	Inch.	Diameter	Tolerance			
-	#2	2.38	-	4.35	0.99	0.50
-	#3	2.71	-	4.95	1.12	0.63
-	#4	3.04	-	5.30	1.13	0.63
-	#5	3.37	-	5.99	1.31	0.78
-	#6	3.75	-	6.35	1.3	0.78
-	#8	4.41	-	7.44	1.52	1.01
-	#10	5.08	-	8.48	1.7	1.19
-	#12	5.76	-	9.57	1.91	1.42
2	-	2.1	+0.25 0	4.4	0.9	0.5
2.3	-	2.4	0	4.9	1	0.6
2.5	-	2.6	0	5.2	1	0.6
2.6	-	2.7	+0.3 0	5.3	1	0.6
3	-	3.1	0	5.9	1.1	0.7
3.5	-	3.6	0	6.6	1.2	0.8
4	-	4.1	0	7.6	1.4	1
5	-	5.1	+0.4 0	9.2	1.7	1.3
6	-	6.1	0	12.2	2.7	1.5
-	1/4	6.5	0	12.5	2.8	1.6
7	-	7.1	0	13.4	2.8	1.6
8	5/16	8.2	+0.5 0	15.4	3.2	2
-	3/8	9.8	0	17.8	3.6	2.4
10	-	10.2	0	18.4	3.7	2.5
-	7/16	11.4	0	20.2	4	2.8
12	-	12.2	+0.5 0	21.5	4.2	3
-	1/2	13	0	22.7	4.4	3.2
14	-	14.2	0	24.5	4.7	3.5

Nominal size		(d)		(D)	Width (b) x Thickness (t)	
mm.	Inch.	Diameter	Tolerance			
16	5/8	16.2	+0.6 0	28	5.2	4
18	-	18.2		31	5.7	4.6
-	3/4	19.5		32.7	5.9	4.8
20	-	20.2		33.8	6.1	5.1
22	7/8	22.5	+1.0 0	37.7	6.8	5.6
24	-	24.5		40.3	7.1	5.9
-	1"	26		42.8	7.5	6.4
27	-	27.5		45.3	7.9	6.8
-	1 1/16	29.3	+1.2 0	47.9	8.3	7.1
30	-	30.5		49.9	8.7	7.5
-	1 1/4	32.5		52.7	9.1	7.9
33	-	33.5		54.7	9.5	8
-	1 3/8	35.8	+1.4 0	57.8	9.9	8.7
36	-	36.5		59.1	10.2	9
39	1 1/2	39.5		63.1	10.7	9.5
42	-	45		+0 -1.4	65	10
45	-	48	+0 -1.5	72	12	9
48	-	51		75	12	9
52	-	55		79	12	9
56	-	60		+0 -2.0	85	12
60	-	63	+0 -3.0	88	12	9
64	-	68		92	12	9
68	-	72		96	12	9.2
72	-	76		100	12	9.2
76	-	80	+0 -4.0	106	12.6	9.2
80	-	85		111	12.6	9.2
90	-	95		121	12.6	9.2
100	-	105		131	12.6	9.2