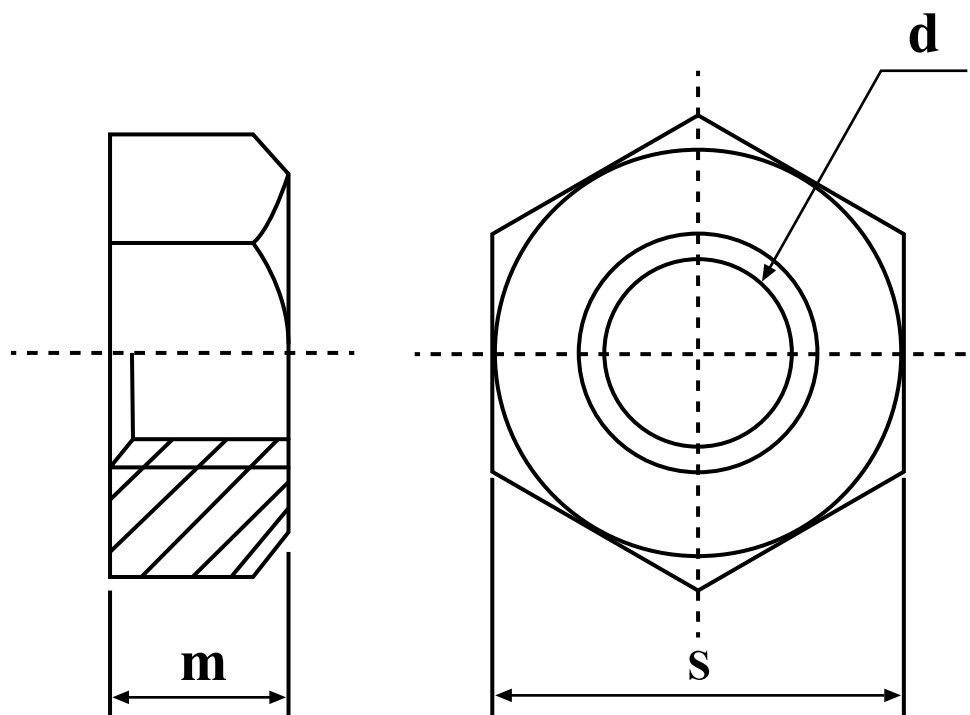


Drawing / Standard
 【Hexagon Nut (Type-1)】



Nominal size (d)	Pitch	m		s	
		Dimension	Tolerance	Dimension	Tolerance
M2	0.4	1.6	0 -0.25	4	0 -0.2
M2.3	0.4	1.8		4.5	
M2.5	0.45	2		5	
M2.6	0.45	2		5	
M3	0.5	2.4		5.5	
M3.5	0.6	2.6	6	7	0 -0.30
M4	0.7	3.2	7	8	
M4.5	0.75	3.6	8	8	
M5	0.8	4	8	10	
M6	1.0	5	10	11	
M7	1.0	5.5	11	13	0 -0.25
M8	1.25	6.5	0 -0.58	17	0 -0.7
M9	1.25	8		17	
M10	1.5	8		17	
M12	1.75	10		19	
M14	2.0	11		22	
M16	2.0	13	24		
M18	2.5	15	27		

Nominal size (d)	Pitch	m		s	
		Dimension	Tolerance	Dimension	Tolerance
M20	2.5	16	0 -0.70	30	0 -0.8
M22	2.5	18		32	
M24	3.2	19	0 -0.84	36	0 -1.0
M25	3.2	19		36	
M27	3.0	22	±1.0	41	
M30	3.5	24		46	
M33	3.5	26		50	
M36	4.0	29	±1.2	55	0 -1.2
M39	4.0	31		60	
M42	4.5	34		65	
M45	4.5	36		70	
M48	5.0	38		75	
M52	5.0	42	±1.5	80	0 -1.4
M56	5.5	45		85	
M60	5.5	48		90	
M64	6.0	51		95	
M68	6.0	54		100	