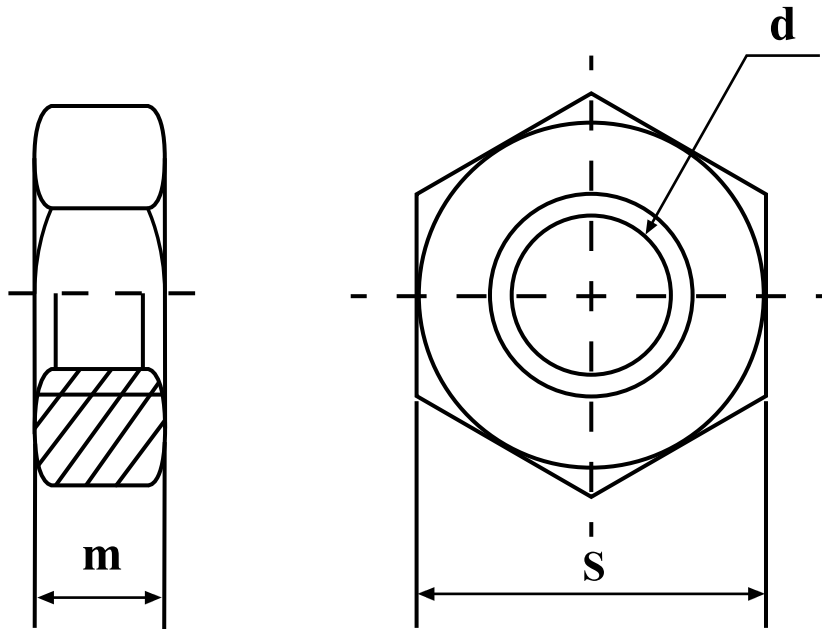


Drawing / Standard
 【Hexagon Nut (Type-3)】



Nominal size	Pitch	m		S	
		Dimension	Tolerance	Dimension	Tolerance
M2	0.4	1.2	0 -0.25	4	0 -0.2
M2.3	0.4	1.4		4.5	
M2.5	0.45	1.6		5	
M2.6	0.5	1.6		5	
M3	0.6	1.8		5.5	
M3.5	0.7	2		6	
M4	0.75	2.4		7	
M4.5	0.8	2.8		8	
M5	1.0	3.2		8	
M6	1.0	3.6		0 -0.48	
M7	1.25	4.2	0 -0.58	11	0 -0.7
M8	1.25	5		13	
M10	1.5	6		17	
M12	1.75	7	0 -0.70	19	0 -0.8
M14	2.0	8		22	
M16	2.0	10		24	
M18	2.5	11		27	

Nominal size	Pitch	m		S	
		Dimension	Tolerance	Dimension	Tolerance
M20	2.5	12	0 -0.70	30	0 -0.8
M22	2.5	13		32	0 -1.0
M24	3.2	14		36	
M27	3.0	16		41	
M30	3.5	18		46	
M33	3.5	20	0 -0.84	50	0 -1.2
M36	4.0	21		55	
M39	4.0	23		60	
M42	4.5	25		65	
M45	4.5	27		70	
M48	5.0	29	0 -1.0	75	0 -1.4
M52	5.0	31		80	
M56	5.5	34		85	
M60	5.5	36		90	
M64	6.0	38	0 -1.4	95	0 -1.4
M68	6.0	40		100	