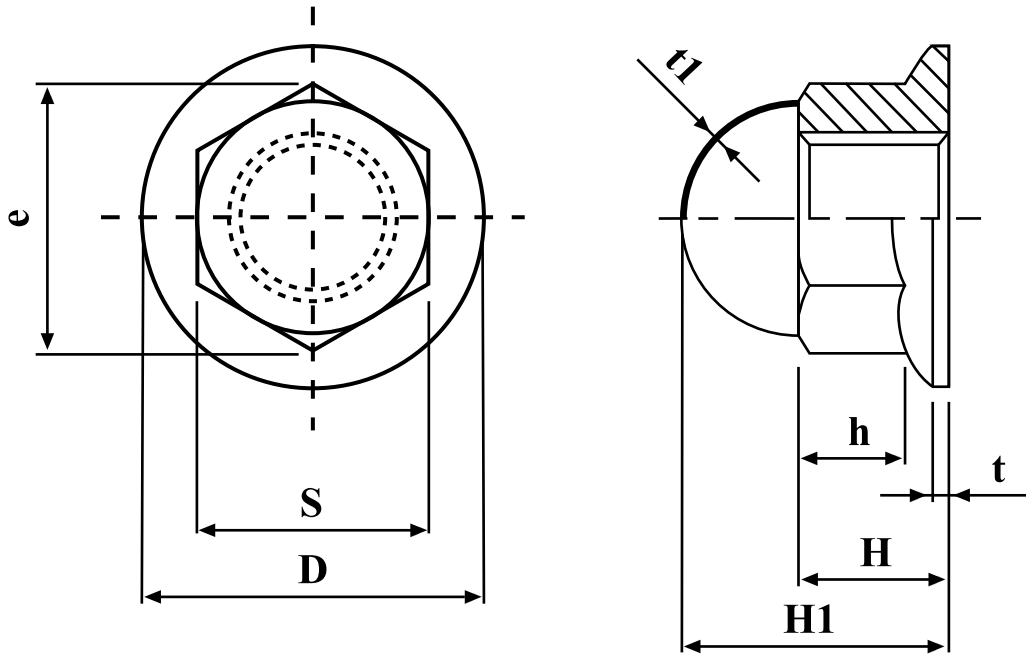


Drawing / Standard
【 Hex Domed Cap Nut With Serrate 】



Steel

Nominal size	S		e	D		H		h	t	H1
	Dimension	Tolerance		Dimension	Tolerance	Dimension	Tolerance			
M4(8x11)	8	0 -0.2	9.2	11	0 -0.4	5.0	± 0.15	3.3	1.0	8.5
M5(8x12)	8		9.2	12		5.5		3.3	1.1	9.0
M6(10x13)	10		11.5	13		6.0		4.0	1.5	10.5
M8(12x17)	12	0 -0.25	13.8	17		7.5	± 0.2	5.0	1.5	13.0

Stainless Steel

Nominal size	Pitch	S		D		H		H1		t1
		Dimension	Tolerance	Dimension	Tolerance	Dimension	Tolerance	Dimension	Tolerance	
M4	0.7	7	0 -0.2	10	0 -0.4	4.2	± 0.15	7.2	± 0.4	0.4
M5	0.8	8		12		5.5		9.2		0.4
M6	1.0	10		13		6.0		10.5		0.5
M8	1.25	12	0 -0.25	17		7.5	± 0.2	13.0	± 0.5	0.5
M10	1.5	14	19	9.0	15.5	0.6				