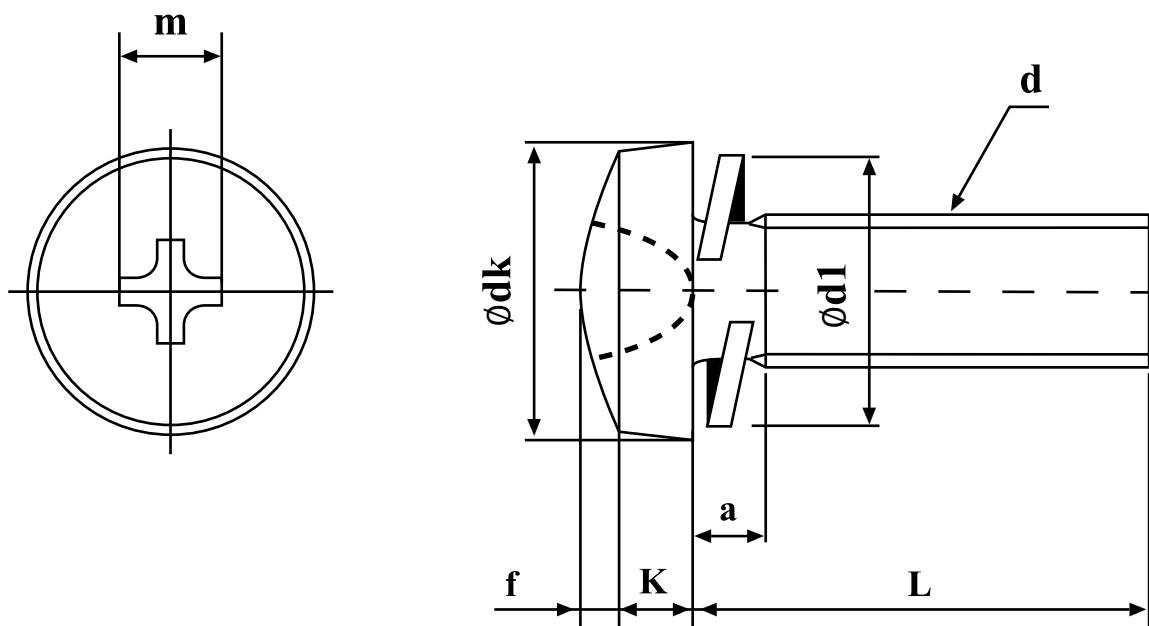


Drawing / Standard
【 (+) Bind Head Screw Sems P=2 】



Unit : mm

Nominal size (d)	dk		k+f		Cross Recessed Hole		d1	a
	Dimension	Tolerance	Dimension	Tolerance	Driver size	^m (Reference)		
M2	4.3	0 -0.4	1.2	±0.15	1	2.2	4	1.8
M3	6.3	0 -0.5	1.9	±0.15	2	3.7	5.5	2.4
M3.5	7.3	0 -0.5	2.2	±0.2	2	4.0	6.2	2.8
M4	8.3	0 -0.5	2.5	±0.2	2	4.3	7.0	3.5
M5	10.3	0 -0.6	3.1	±0.2	2	5.0	8.5	4.3
M6	12.4	0 -0.7	3.7	±0.2	3	6.3	8.5	5.1