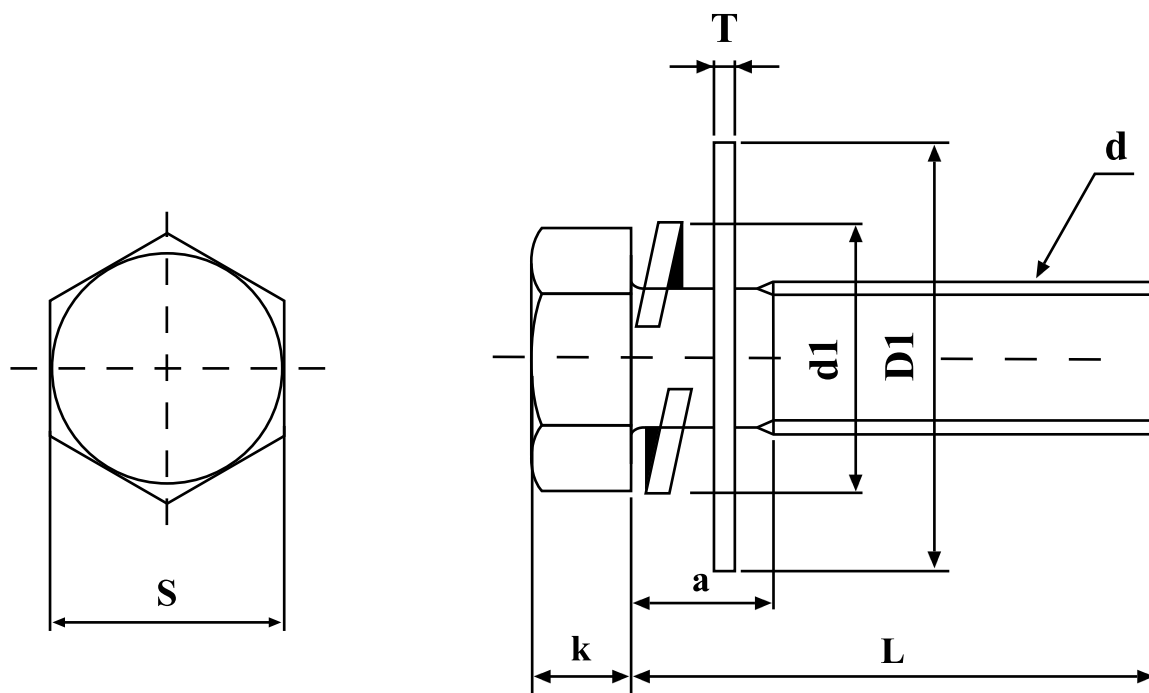


**Drawing / Standard**  
**【 Hex Head Bolt Sems P=3 】**



Nominal size (d)	k		s		D1XT	d1	a
	Dimension	Tolerance	Dimension	Tolerance			
M3	2.0	± 0.1	5.5	0 -0.2	8X0.5	5.5	3.0
M4	2.8		7		10X0.8	7	4.4
M5	3.5	8	12X0.8		8.5	5.2	
M6	4.0	± 0.15	10	0 -0.25	13X1.0	11.5	6.3
M8	5.5		13		18X1.6	14.5	8.4
M10	7.0	± 0.2	17	0 -0.35	22X1.6	17.5	10.0
M12	8.0		19		26X2.3	20.5	12.3
M14	9.0	± 0.3	22	0 -0.8	30X2.6	23.5	14.5
M16	10.0	± 0.2	24	0 -0.35	32X2.6	26.5	16.5
M20	13.0	± 0.35	30	0 -0.8	40X3.2	33.8	19.5