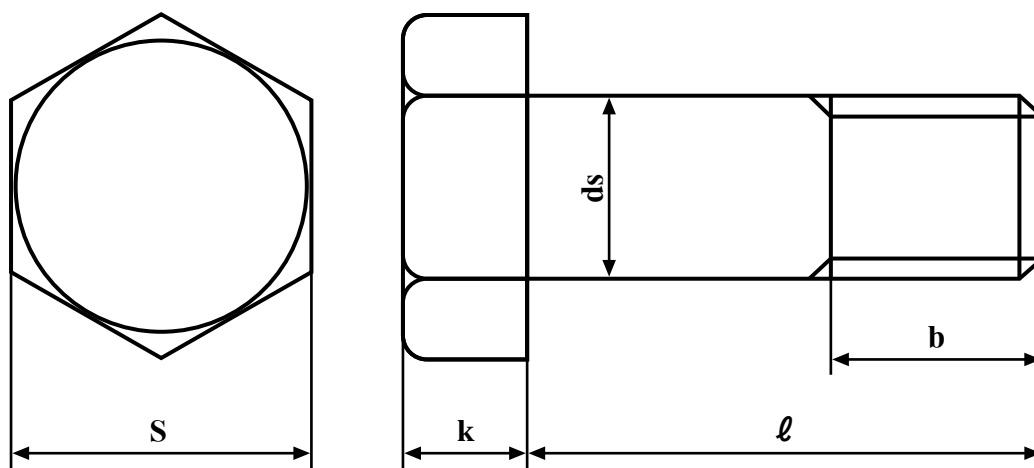


Drawing / Standard
【Hexagon bolt (Half-thread)】



Nominal size (d)	Pitch	ds		k		S	
		Dimension	Tolerance	Dimension	Tolerance	Dimension	Tolerance
M5	0.8	5	0 -0.1	3.5	± 0.15	8	0 -0.2
M6	1.0	6	0	4	± 0.25	10	0 -0.6
M8	1.25	8	-0.2	5.5	± 0.3	13	0
M10	1.5	10	0	7		17	-0.7
M12	1.75	12		-0.25	8	± 0.35	19
M14	2.0	14	0	9	22		
M16	2.0	16	-0.35	10	± 0.4	24	0 -1.0
M18	2.5	18	0	12		27	
M20	2.5	20	-0.4	13	± 0.45	30	0 -1.2
M22	2.5	22	0	14		32	
M24	3.0	24	-0.45	15	± 0.5	36	0
M27	3.0	27	0	17		41	
M30	3.5	30	-0.5	19	± 0.55	46	0
M33	3.5	33	0	21		50	
M36	4.0	36	-0.55	23	± 0.6	55	0
M39	4.0	39	0	25		60	
M42	4.5	42	-0.6	26	± 0.65	65	-1.2
M45	4.5	45	0	28		70	
M48	5.0	48	-0.65	30	± 0.7	75	0
M52	5.0	52	0	33		80	
M56	5.5	56	-0.7	35	± 0.75	85	0
M64	6.0	64	0	40		95	

(**b** is d X2+6, length > 130 is d X2+12, length > 220 is d X2+25)