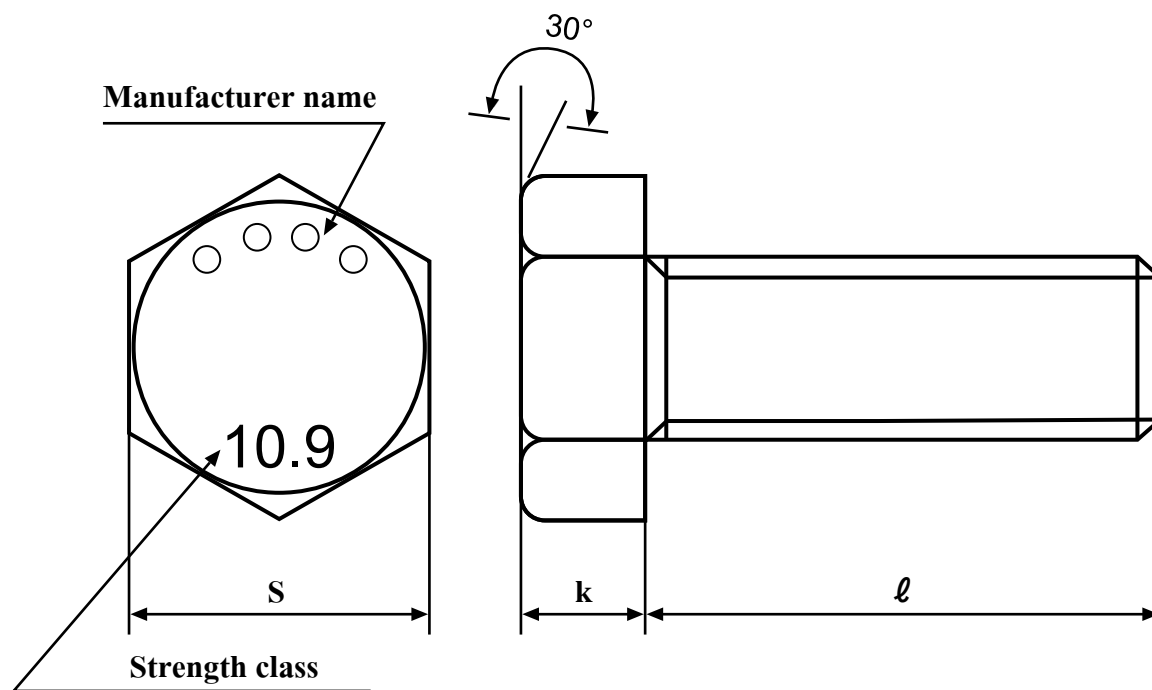


Drawing / Standard
【10.9 Hexagon bolt (Full-thread) (Fine-pitch)】



Nominal size (d)	Pitch	k		S	
		Dimension	Tolerance	Dimension	Tolerance
M8	1.0	5.5	± 0.25	13	0
M10	1.25	7	± 0.3	17	-0.7
M12	1.25	8		19	0
M14	1.5	9		22	
M16	1.5	10		24	
M18	1.5	12	± 0.35	27	-0.8
M20	1.5	13		30	
M22	1.5	14		32	0
M24	2.0	15	36		
M27	2.0	17	41		
M30	2.0	19	± 0.4	46	-1.0
M33	2.0	21		50	
M36	3.0	23		55	0 -1.2