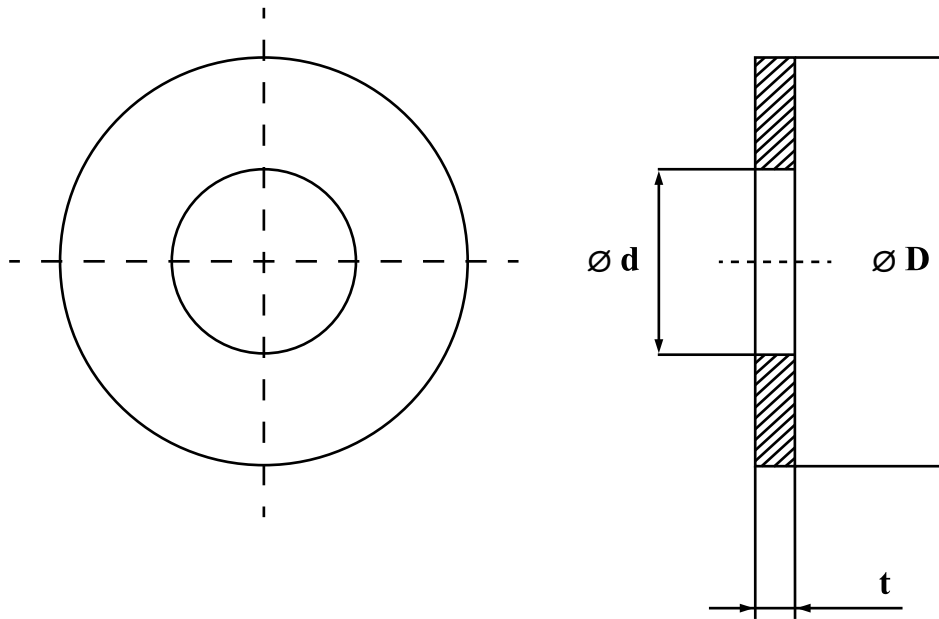


Drawing / Standard
【Washer (JIS)】



Nominal size	d		D		t
	Dimension	Tolerance	Dimension	Tolerance	Dimension
2	2.3	+0.15 0	6	0 -0.3	0.4
2.3	2.6		7		0.5
2.6	2.9		7.5		0.5
3	3.3	+0.2 0	8	0 -0.35	0.5
3.5	3.8		9		0.5
4	4.5		10		0.8
4.5	5		12		0.8
5	5.5	+0.25 0	12	0 -0.4	0.8
6	6.5		13		1
8	8.5		18		1.6
10	10.5	+0.3 0	22	0 -0.5	1.6
12	12.5		26		2.3
14	15		30		2.6
16	17		32		2.6

Nominal size	d		D		t	
	Dimension	Tolerance	Dimension	Tolerance	Dimension	
18	19	+0.35 0	36	0 -0.6	2.6	
20	21		40		3.2	
22	23.5		44		3.2	
24	25.5		48		4	
27	28.5	+0.45 0	52	0 -0.8	4	
30	31.5		58		4.5	
33	34.5		62		4.5	
36	38		68		5	
39	41		72		5	
42	44		78		6	
45	47		82		6	
48	50		88		6	
52	54		95		0	6
					-1	6

※Thickness (t) of materials other than cast iron may become thinner.