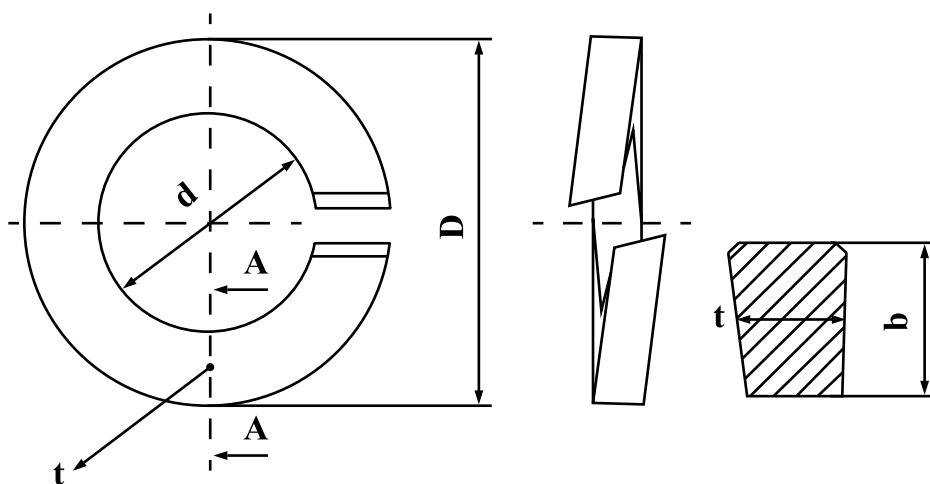


Drawing / Standard
【Spring washer (Type-3)】



A-A

Nominal size		(d)		(D)	Width (b) x Thickness (t)
mm.	Inch.	Diameter	Tolerance		
6	-	6.1	+0.4 0	12.2	2.7x1.9
8	-	8.2	+0.5 0	15.6	3.3x2.5
10	-	10.2		18.8	3.9x3.0
12	-	12.2	+0.6 0	21.9	4.4x3.6
-	1/2	13.0		22.9	4.5x3.8
14	-	14.2		24.7	4.8x4.2
16	-	16.2	+0.8 0	28.2	5.3x4.8
18	-	18.2		31.4	5.9x5.4
20	-	20.2	+1.0 0	34.4	6.4x6.0
22	-	22.5		38.3	7.1x6.8
24	-	24.5	+1.2 0	41.3	7.6x7.2
27	-	27.5		46.7	8.6x8.2
30	-	30.5	+1.4 0	50.7	9.5x9.3
36	-	36.5		61.3	11.1x11.0
42	-	42.5	+1.5 0	66.2	11.1x11.1