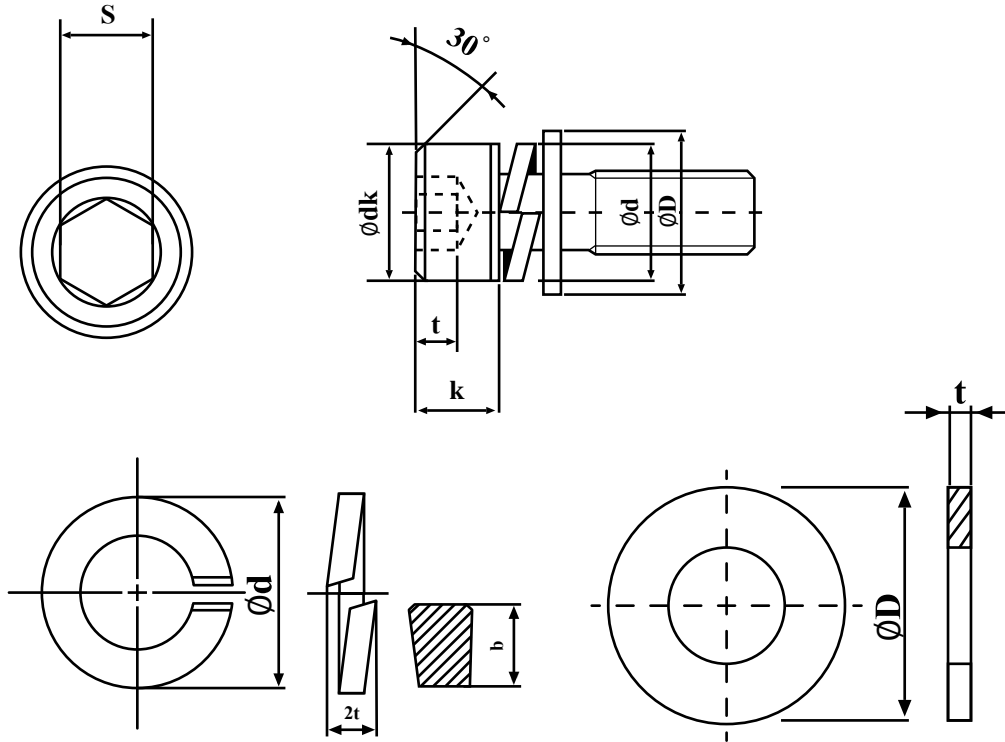


Drawing / Standard
【 Socket Cap Screw Sems P=3 】



| Nominal size (d) | M2 | M2.6 | M3 | M4 | M5 | M6 | M8 | |
|-------------------------------------|---------------------|---------|----------------|----------------|----------------|----------------|----------------|---------|
| Pitch | 0.4 | 0.45 | 0.5 | 0.7 | 0.8 | 1.0 | 1.25 | |
| dk | Reference dimension | 3.8 | 4.5 | 5.5 | 7.0 | 8.5 | 10 | 13 |
| | Max. | 3.98 | 4.68 | 5.68 | 7.22 | 8.72 | 10.22 | 13.27 |
| | Min. | 3.62 | 4.32 | 5.32 | 6.78 | 8.28 | 9.78 | 12.73 |
| k | Reference dimension | 2 | 2.6 | 3 | 4 | 5 | 6 | 8 |
| | Min. | 1.86 | 2.46 | 2.86 | 3.82 | 4.82 | 5.7 | 7.64 |
| s | Reference dimension | 1.5 | 2.0 | 2.5 | 3.0 | 4.0 | 5.0 | 6.0 |
| | Max. | 1.58 | 2.08 | 2.58 | 3.08 | 4.095 | 5.14 | 6.14 |
| | Min. | 1.52 | 2.02 | 2.52 | 3.02 | 4.02 | 5.02 | 6.02 |
| t | Min. | 1.0 | 1.1 | 1.3 | 2.0 | 2.5 | 3.0 | 4.0 |
| Flat washer | D1XT | 6X0.4 | 7.5X0.5 | 8X0.5 | 10X0.8 | 12X0.8 | 13X1.0 | 18X1.6 |
| Spring washer | d | 3.9 | 4.9 | 5.4 | 7 | 8.5 | 11.4 | 14.3 |
| | bxt | 0.9x0.5 | 1.0x0.6 | 1.1x0.7 | 1.4x1.0 | 1.7x1.3 | 2.7x1.5 | 3.2x2.0 |
| Non-thread area | Max. | 2.1 | 2.5 | 2.8 | 4.0 | 4.8 | 5.7 | 7.7 |
| Half-thread available from | - | - | L=36 or Longer | L=55 or Longer | L=55 or Longer | L=55 or Longer | L=55 or Longer | |
| Thread length of half-thread | - | - | 30 ~ 33 | 40 ~ 44 | 40 ~ 44 | 40 ~ 44 | 40 ~ 44 | |